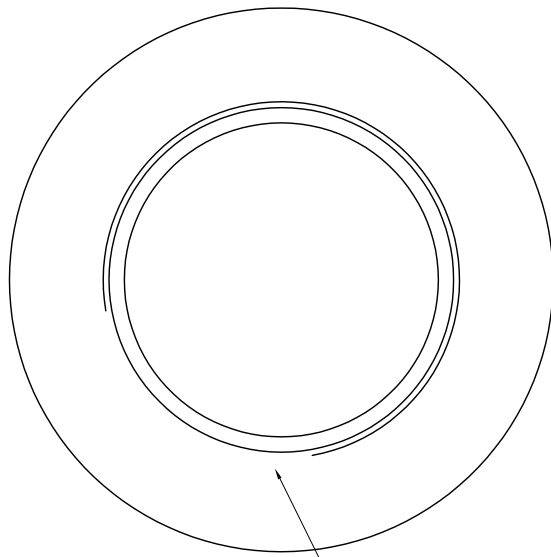
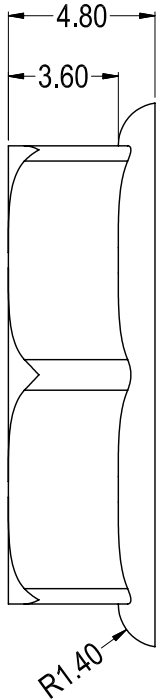
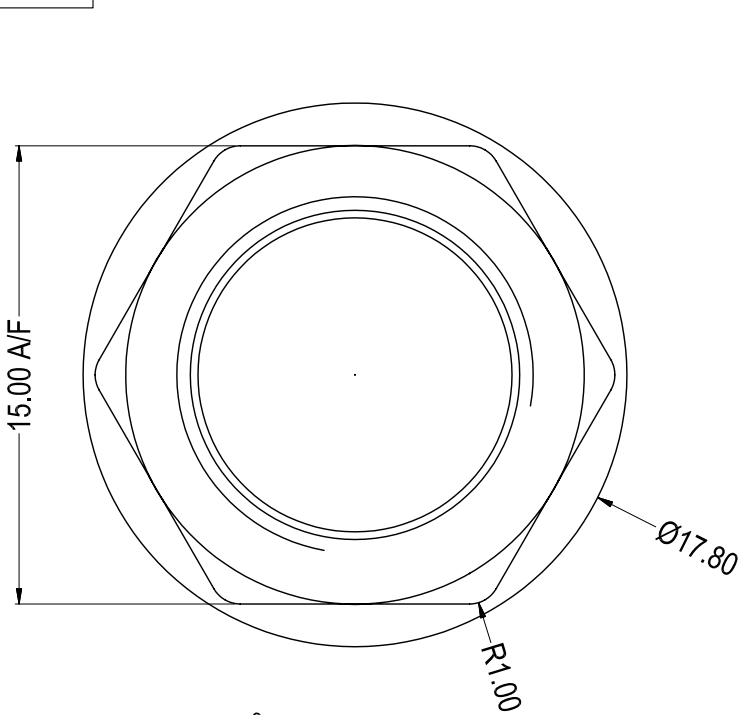
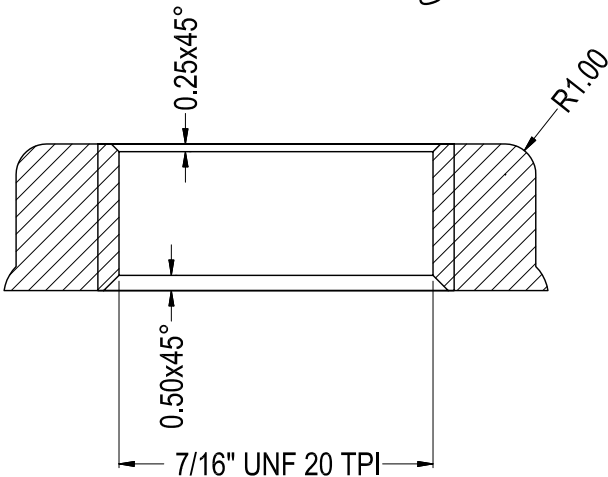


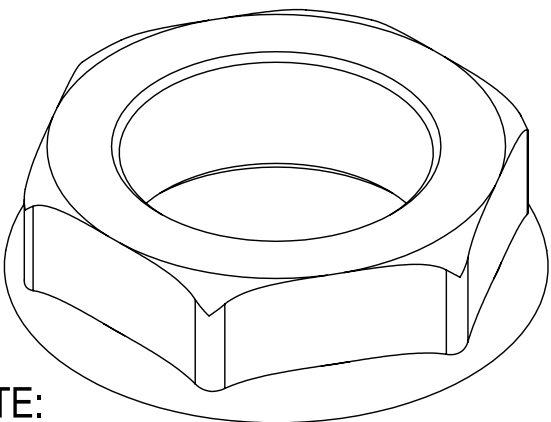
ISS.	AMEND	DATE
1	ISSUED	06/07/09



RECESS (3x) PERMISSABLE TO PREVENT PART ROTATING ON EJECTION. (NOT SHOWN)



PART NO.	COLOUR
CL1408	BLACK
CL1409	WHITE
CL1410	GREY
CL1412	BLUE
CL1414	GREEN
CL1416	RED
CL1420	YELLOW



**NOTE:**  
TO BE FREE FROM SINK AND FLASH

**RoHS**  
COMPLIANT

**TOLERANCE**  
 NO DEC. PLACE ±0.50  
 1 DEC. PLACE ±0.20  
 2 DEC. PLACE ±0.10  
 HOLE DIA. ±0.10  
 ANGLES ±1/2°  
 UNLESS OTHERWISE STATED

DIMENSIONS IN MILLIMETERS UNLESS OTHER WISE STATED. WORK TO DIMENSIONS. DO NOT SCALE DRAWING. 3rd ANGLE PROJECTION. REMOVE ALL BURRS. IF IN DOUBT ASK.

WHERE USED F.R.  
SCALE N.T.S.

<b>Cliff Electronic Components Ltd.</b> 76 Holmethorpe Ave., Holmethorpe Ind. Estate, Redhill, Surrey, RH1 2PF, England Tel: 01737-771375 Fax: 01737-766012	MATERIAL	NYLON 6 - SEE TABLE FOR VARIANTS	TITLE	S2 NUT - UK
	FINISH	LIGHT SPARK- 27 VDI	DRWG. No.	CL1408
	DRAWN	TJO	APPD.	DPJ
				FORM: A4DRWGH