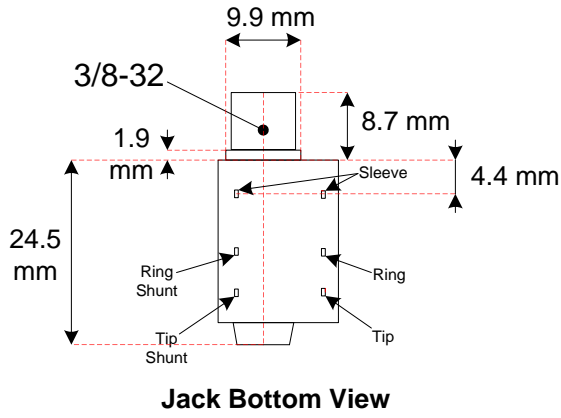
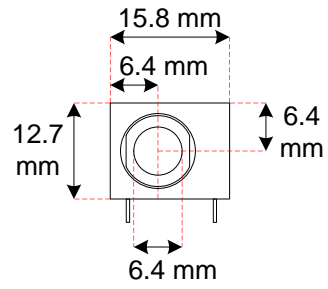
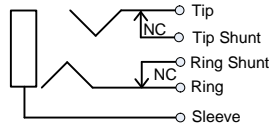


S-H560

Schematic



Pin Hole Layout

