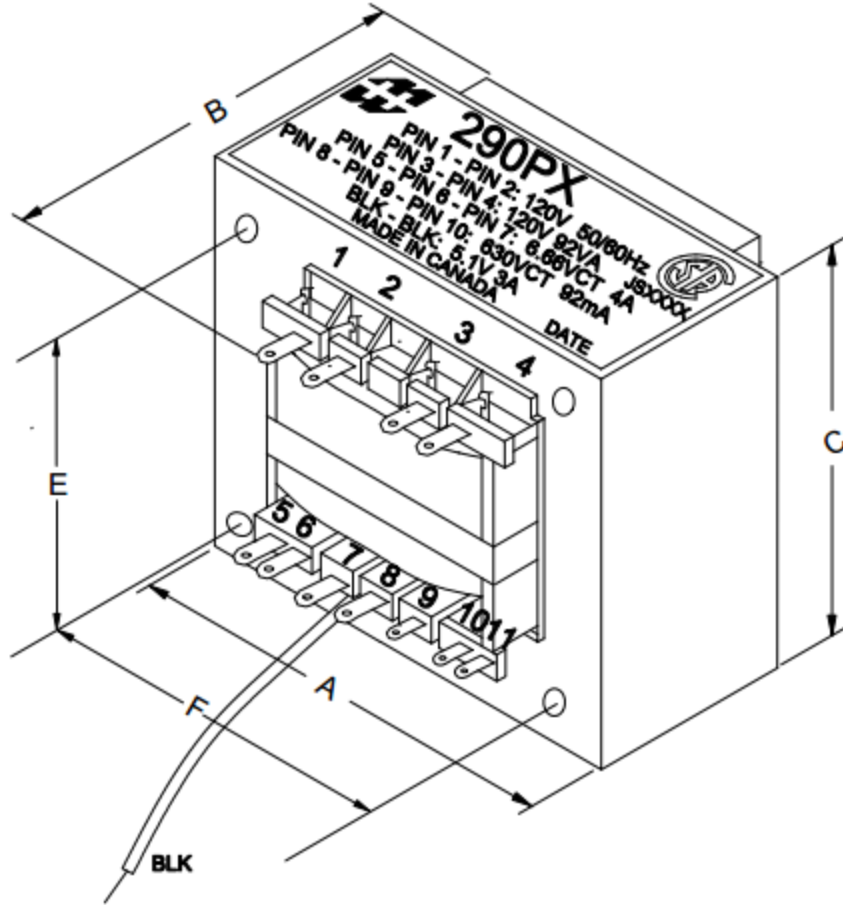


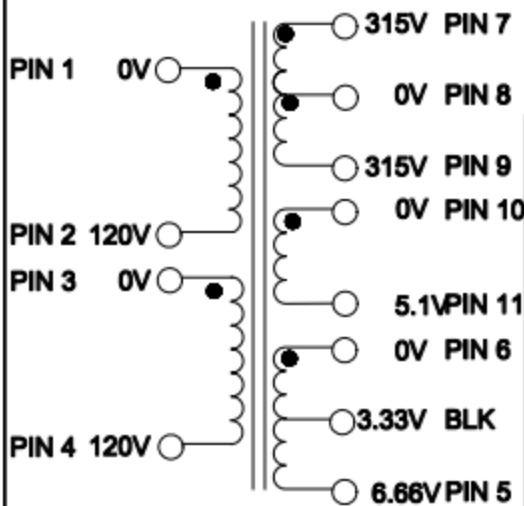
290PX



DIMENSIONS:

A	3.780" ±0.063
B	3.000" ±0.063
C	3.16" ±0.063
LEADS	11.00" MIN
E	2.500" ±0.063
F	3.125" ±0.063
G	0.219" ±0.063

PRIMARY SECONDARY



ELECTRICAL DATA:

Turns ratio:	1 : 5.57 (PIN7 - PIN9)
Exciting Current	@ 120V, 60Hz, Pin 1 - Pin 2 = 142.00 mA Max.
DCR	@ 25C, Pin 1 - Pin 2 = 6.784 Ω ±20%
	@ 25C, Pin 3 - Pin 4 = 8.055 Ω ±20%
	@ 25C, Pin 7 - Pin 9 = 236.863 Ω ±20%
	@ 25C, Pin 5 - Pin 6 = 0.054 Ω ±20%
	@ 25C, Pin 10 - Pin 11 = 0.079 Ω ±20%
Pr. Voltage	120V/120V 50/60Hz
Sec. Voltage (RMS)	630VCT @ 92mA / 5.1VCT @ 3A / 6.66VCT @ 4A
No Load Voltage	869VCT / 5.47VCT / 7.29VCT