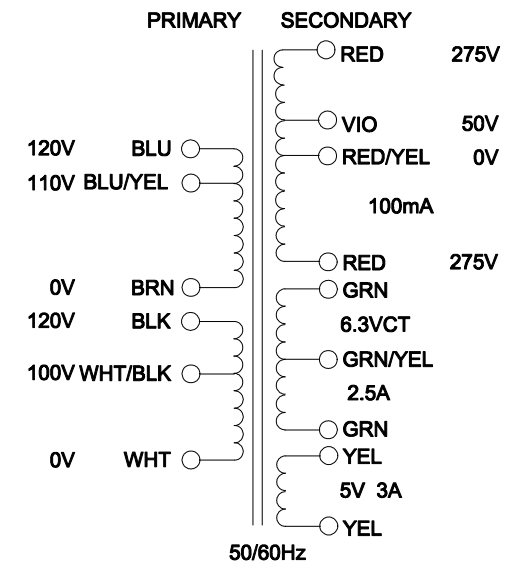
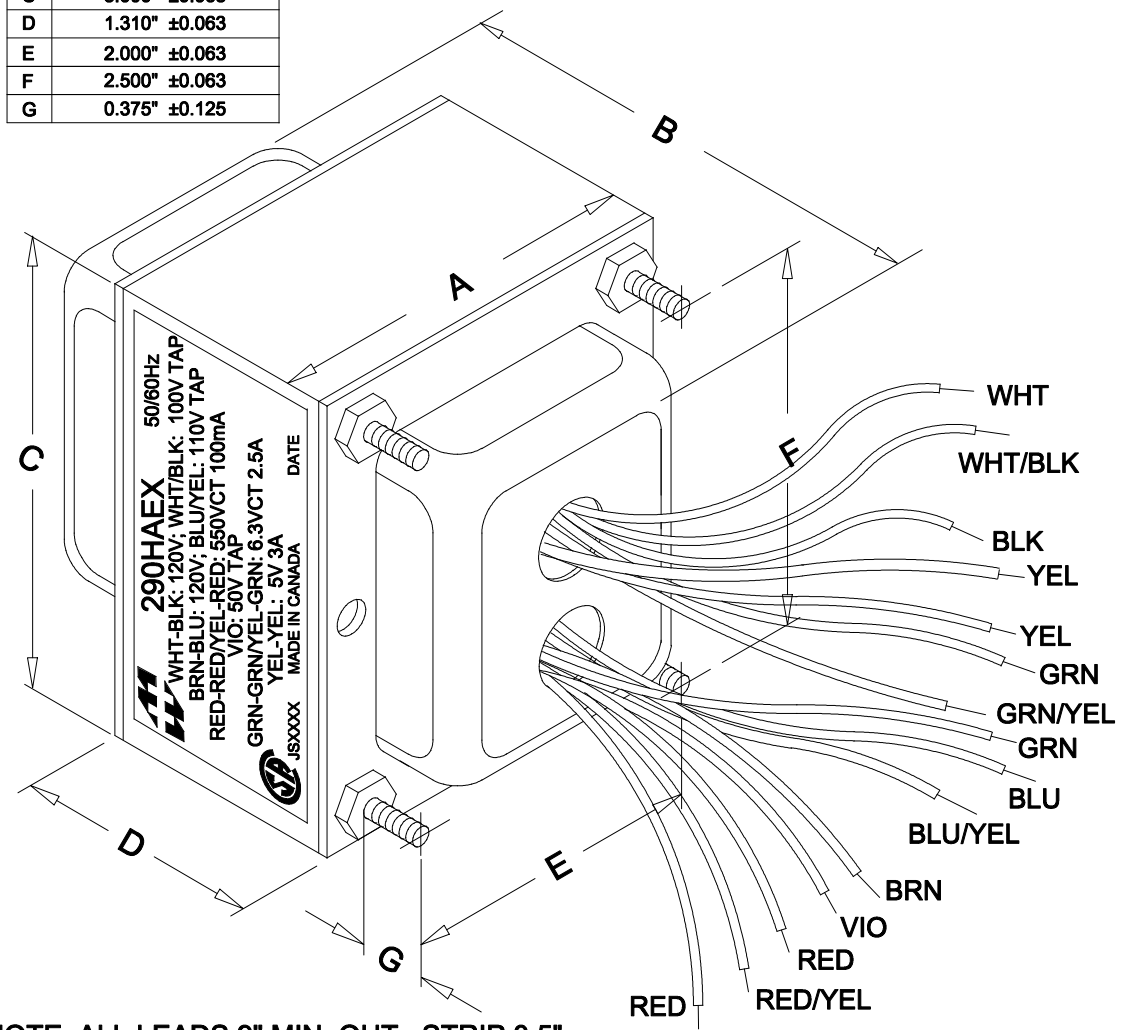


DIMENSIONS:	
A	2.500" ±0.063
B	3.625" ±0.125
C	3.000" ±0.063
D	1.310" ±0.063
E	2.000" ±0.063
F	2.500" ±0.063
G	0.375" ±0.125



NOTE: ALL LEADS 9" MIN. OUT. STRIP 0.5"

ELECTRICAL DATA:			
TESTS	CONDITIONS	ACCEPTANCE CRITERIA	
Iex	@ 120V, 60Hz, WHT - BLK	136mA	Max.
Sec. N.L.V	@ 120V, 60Hz, WHT - BLK		
	WHT - WHT/BLK =	100.0V	±2%
	BRN - BLU/YEL =	110.0V	±2%
	BRN - BLU =	120.0V	±2%
	RED - RED/YEL = RED/YEL - RED =	297.9V	±2%
	VIO - RED/YEL =	54.16V	±2%
	RED - RED =	595.7V	±2%
	GRN - GRN/YEL = GRN/YEL - GRN =	3.420V	±2%
	GRN - GRN =	6.841V	±2%
	YEL - YEL =	5.416V	±2%
DCR	@ 20°C, WHT - BLK =	9.279 Ω	±20%
	@ 20°C, BRN - BLU =	10.14 Ω	±20%
	@ 20°C, RED - RED =	225.9 Ω	±20%
	@ 20°C, GRN - GRN =	0.086 Ω	±20%
	@ 20°C, YEL - YEL =	0.072 Ω	±20%
HIPOT	PRIMARY - SECONDARY	2500V, 60Hz, 1 SEC	

REV.#	REVISION	DATE
0	RELEASED.	C.I. 10/22/18

HAMMOND ELECTRONIC DIVISION
MANUFACTURING
 52 RANKIN PLACE, WATERLOO, ONTARIO, N2J 3Z5
 PH # (519) 886-6181
 FAX # (519) 886-9540

DWG. BY: C. ILIE	CHK'D BY:	TITLE: POWER TRANSFORMER	DWG. NO. 290HAEX
DATE: 10/22/18	APP'D. BY:		
	DIMENSIONS: IN(X) MM()		