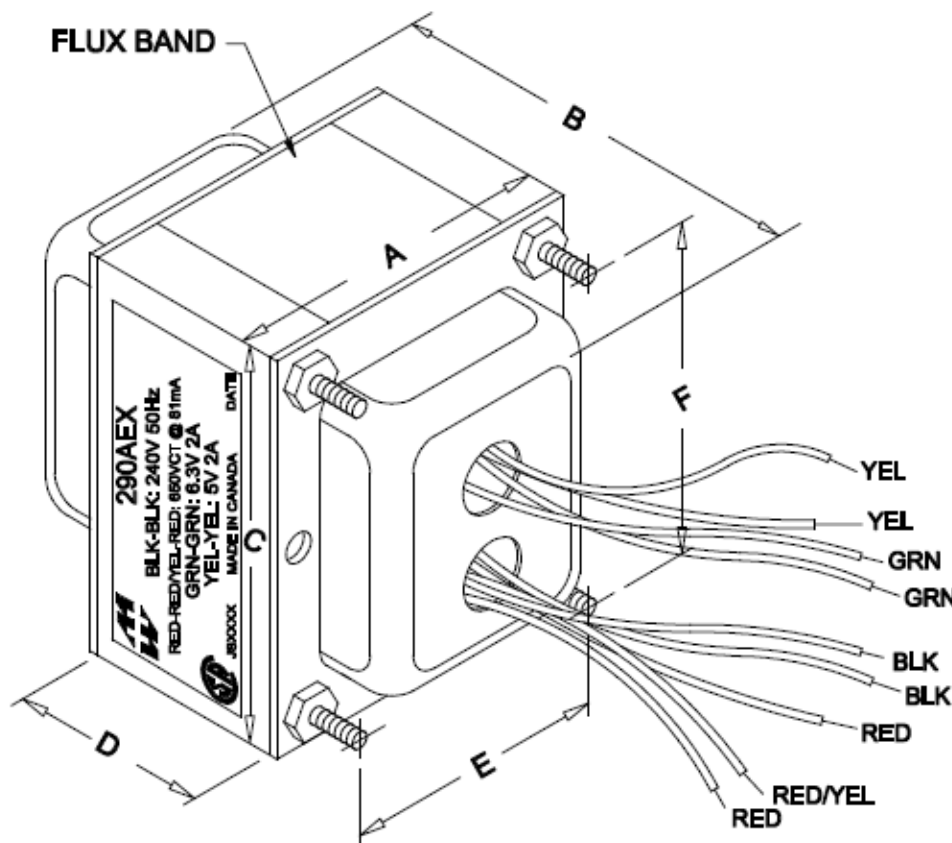


290AEX

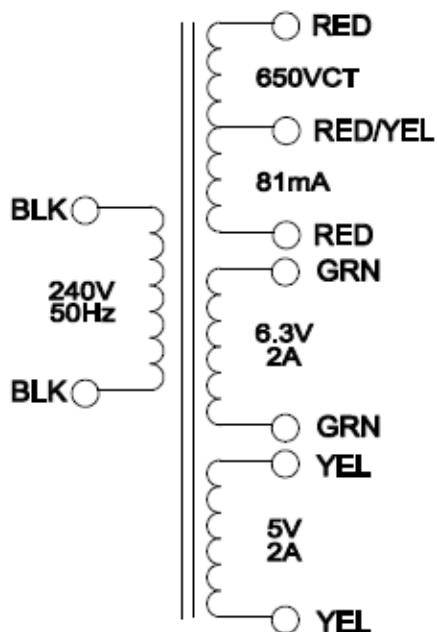


**DIMENSIONS:**

A	2.500" ±0.063
B	2.817" ±0.063
C	3.000" ±0.063
D	1.25" ±0.063
E	2.000" ±0.063
F	2.500" ±0.063

NOTE: ALL LEADS 9" OUT MIN., STRIPPED .5"

**PRIMARY      SECONDARY**



**ELECTRICAL DATA:**

Turns ratio:	1 : 5.82 ( RED - RED )	
Exciting Current	@ 240V, 50Hz, BLK - BLK = 230mA	Max.
DCR	@ 20C, BLK - BLK = 19.647	Ω ±20%
	@ 20C, RED - RED = 334.897	Ω ±20%
	@ 20C, GRN - GRN = 0.2135	Ω ±20%
	@ 20C, YEL - YEL = 0.176	Ω ±20%
Pri. Voltage	240V 50Hz	
Sec. Voltage (RMS)	650VCT @ 81mA, 6.3V @ 2A / 5V @ 2A	
No Load Voltage	698.6VCT / 6.76V / 5.35V	