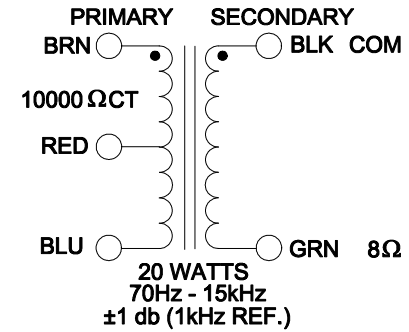
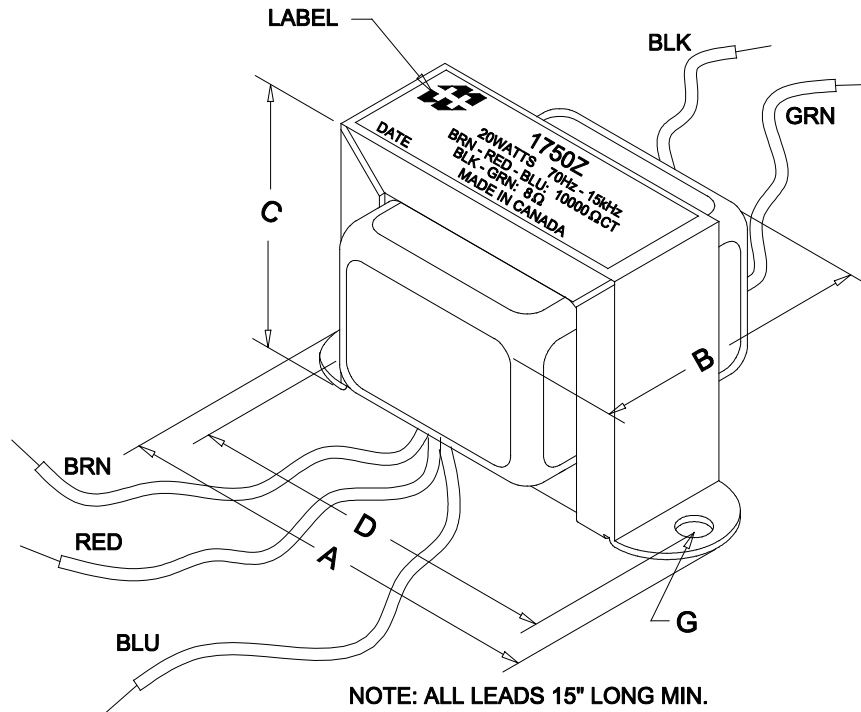


DIMENSIONS:	
A	3.688" ±0.063
B	2.400" ±0.125
C	2.308" ±0.063
D	3.125" ±0.063
G	0.187" ±0.015



ELECTRICAL DATA:		
TESTS	CONDITIONS	ACCEPTANCE CRITERIA
Iex	@ 450V, 60Hz, BRN - BLU	13.5mA Max.
Sec. N.L.V	@ 450V, 60Hz, BRN - BLU	
	BRN - RED = RED - BLU =	225.0V ±2%
	BLK - GRN =	13.05V ±2%
Polarity	BRN, BLK	IN PHASE
DCR	@ 20°C, BRN - RED =	608.7 Ω ±20%
	@ 20°C, RED - BLU =	651.5 Ω ±20%
	@ 20°C, BLK - GRN =	0.706 Ω ±20%
HIPOT	PRIMARY - SECONDARY	2000V, 60Hz, 1 SEC

REV.#	REVISION	DATE	HAMMOND ELECTRONIC DIVISION		PH # (519) 886-6181 FAX # (519) 886-9540
0	RELEASED.	08/05/15	MANUFACTURING™		
			DWG. BY: C. ILIE	CHK'D BY:	TITLE: OUTPUT TRANSFORMER
			DATE: 08/05/15	APP'D. BY:	
				DIMENSIONS: IN(X) MM( )	DWG. NO. 1750Z