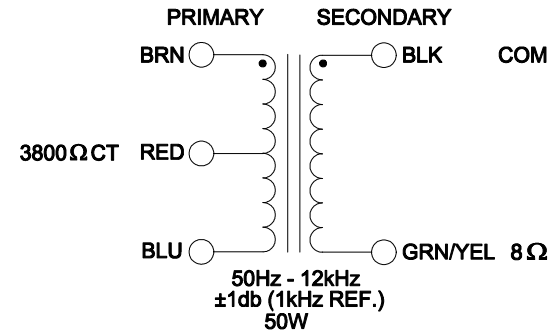
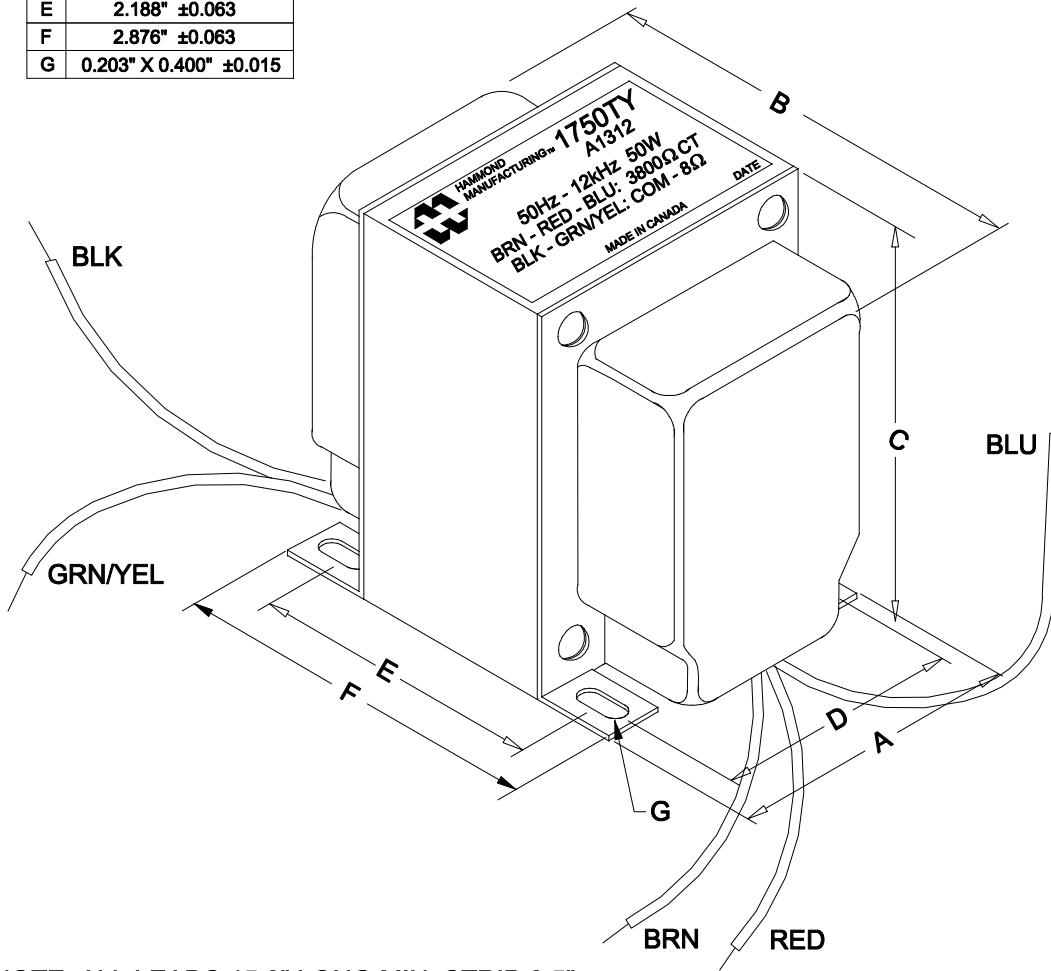


DIMENSIONS:	
A	3.125" ±0.063
B	3.438" ±0.125
C	3.796" ±0.063
D	2.500" ±0.063
E	2.188" ±0.063
F	2.876" ±0.063
G	0.203" X 0.400" ±0.015



NOTE: ALL LEADS 15.0" LONG MIN. STRIP 0.5".

ELECTRICAL DATA:		
TESTS	CONDITIONS	ACCEPTANCE CRITERIA
Iex	@ 240V, 50Hz, BRN - BLU	2.5mA Max.
Sec. N.L.V	@ 240V, 50Hz, BRN - BLU	
	BRN - RED = RED - BLU =	120.0V ±2%
	BLK - GRN/YEL =	11.02V ±2%
POLARITY	BRN, BLK	ADDITIVE
DCR	@ 20°C, BRN - RED =	102.1 Ω ±20%
	@ 20°C, RED - BLU =	111.9 Ω ±20%
	@ 20°C, BLK - GRN/YEL =	0.590 Ω ±20%
HIPOT	PRIMARY - SECONDARY	2500V, 60Hz, 1 SEC

REV.#	REVISION	DATE	HAMMOND ELECTRONIC DIVISION	
0	RELEASED.	C.I. 03/12/21	52 RANKIN PLACE, WATERLOO, ONTARIO, N2J 3Z5	
			PH # (519) 886-6181	FAX # (519) 886-9540
			DWG. BY: C. ILIE	CHK'D BY:
			DATE: 03/12/21	APP'D. BY:
			DIMENSIONS: IN(X) MM( )	
			TITLE: OUTPUT TRANSFORMER	DWG. NO. 1750TY