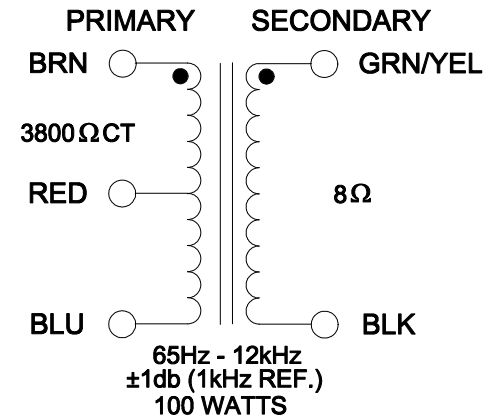
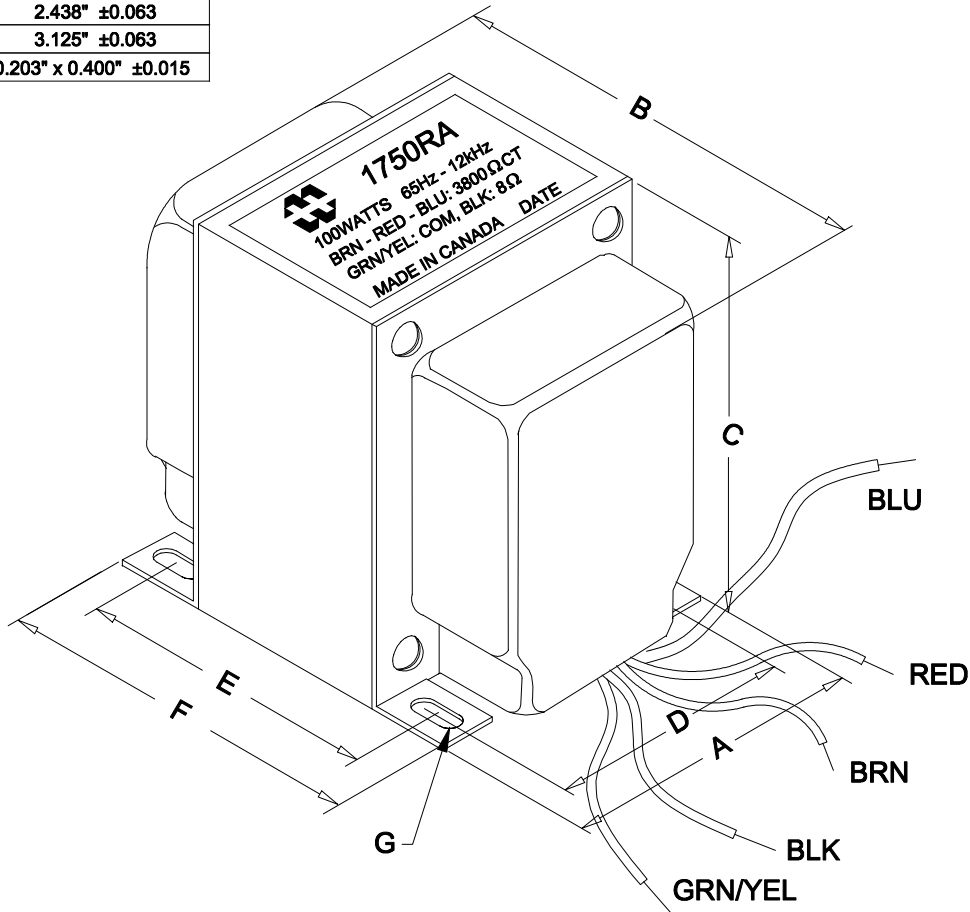


DIMENSIONS:	
A	3.125" ±0.063
B	3.686" ±0.125
C	3.796" ±0.063
D	2.500" ±0.063
E	2.438" ±0.063
F	3.125" ±0.063
G	0.203" x 0.400" ±0.015



NOTE: ALL LEADS 15" OUT MIN., STRIPPED .5"

ELECTRICAL DATA:		
TESTS	CONDITIONS	ACCEPTANCE CRITERIA
I _{ex}	@ 480V, 400Hz, BRN - BLU	7.2mA Max.
Sec. N.L.V	@ 480V, 400Hz, BRN - BLU	
	BRN - RED = RED - BLU =	240.0V ±2%
	GRN/YEL - BLK =	22.30V ±2%
POLARITY	BRN, GRN/YEL	ADDITIVE
DCR	@ 20°C, BRN - RED =	43.34 Ω ±20%
	@ 20°C, RED - BLU =	47.25 Ω ±20%
	@ 20°C, GRN/YEL - BLK =	0.095 Ω ±20%
HIPOT	PRIMARY - SECONDARY	2500V, 60Hz, 1 SEC

REV.#	REVISION	DATE	HAMMOND MANUFACTURING™		ELECTRONIC DIVISION	
0	RELEASED.	C.I. 10/11/19	52 RANKIN PLACE, WATERLOO, ONTARIO, N2J 3Z5		PH # (519) 886-6181 FAX # (519) 886-9540	
			DWG. BY: C. ILIE	CHK'D BY:	TITLE: OUTPUT TRANSFORMER	DWG. NO. 1750RA
			DATE: 10/11/19	APP'D. BY:		
				DIMENSIONS: IN(X) MM()		