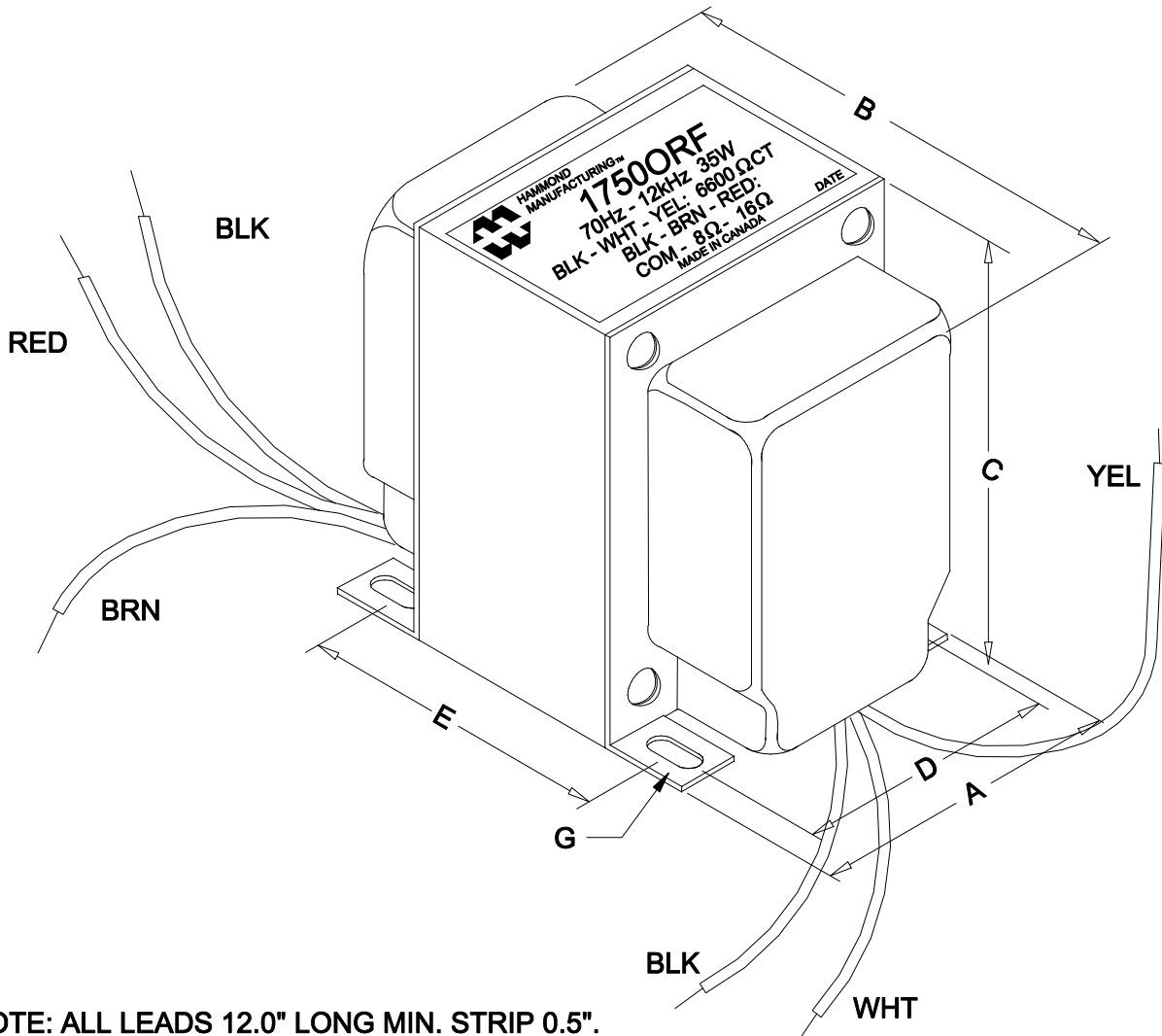
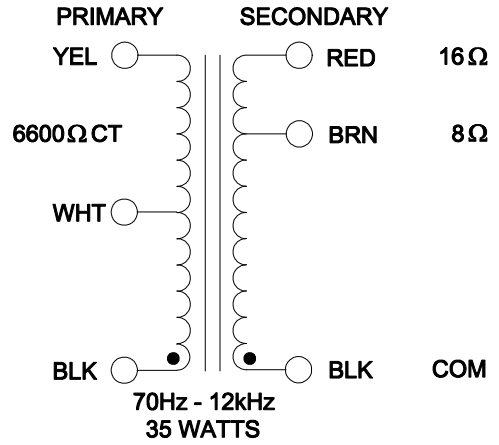


DIMENSIONS:	
A	2.500" ±0.063
B	2.685" ±0.125
C	3.060" ±0.063
D	2.000" ±0.063
E	1.688" ±0.063
G	0.203" X 0.375" ±0.015



NOTE: ALL LEADS 12.0" LONG MIN. STRIP 0.5".



ELECTRONIC DIVISION
52 RANKIN PLACE,
WATERLOO, ONTARIO, N2J 3Z5
PH # (519) 886-6181
FAX # (519) 886-9540

TITLE
OUTPUT TRANSFORMER

NO	DATE	REVISION	DWG. BY
0	04/10/18	RELEASED. C.I.	C. ILIE
			DATE
			04/10/18
			DIM IN(X)MM()

17500RF