

NOTES:

MATERIAL:

HOUSING: THERMOPLASTIC
TERMINAL: COPPER ALLOY

RATING:

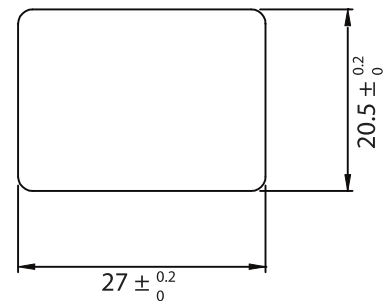
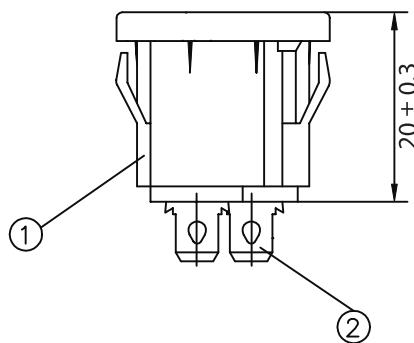
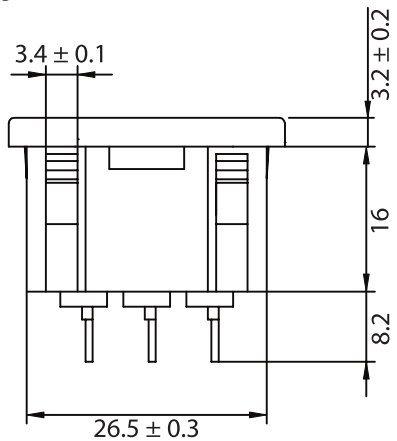
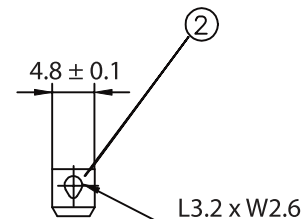
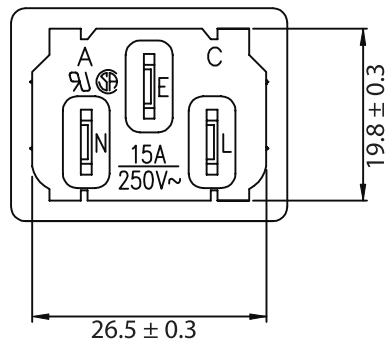
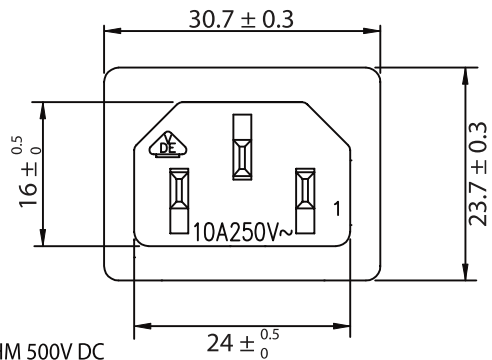
UL, CSA: 15A 250V AC
VDE: 10A 250V AC

INSULATION RESISTANCE: OVER 100 OHM 500V DC

DIELECTRIC RESISTANCE: 2000V AC ONE MINUTE

APPROVALS: UL, CSA, VDE

RoHS COMPLIANT



PANEL CUTOUT THICKNESS FOR PLASTIC PANEL 0.8mm~1.5mm
PANEL CUTOUT THICKNESS FOR STEEL PANEL 0.8mm~2.0mm