



AC INLET

BELTON

(BACI SERIES)

CAT. NO.: BTA -06-1

Remarkable AC INLET design with 5 * 20mm fuse holder on the standard AC INLET construction

Features

- Use the same size mounting hole of the standard inlet
- Suitable construction for easy change fuse from outside
- Housing is made of glassfiber reinforced thermoplastic material

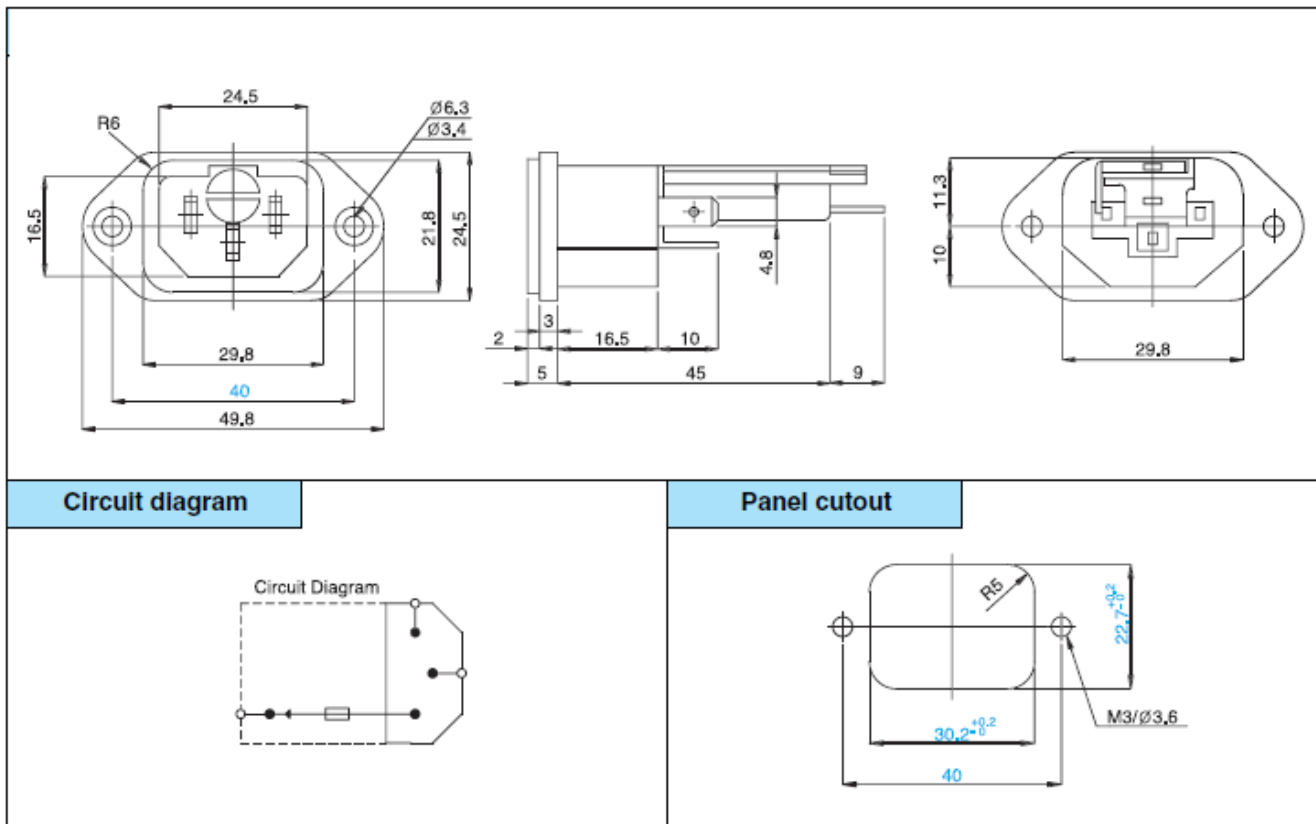
Applications

- Applicable to all types of electronic equipments such as measuring instruments, electronic musical instruments and OA equipments.

PATENT



Dimensions



Electrical specifications

- Power rating: 6A, 250V AC
- Withstanding voltage: 1 min. at 1,000V AC
- Insulation Resistance: 100 Mohms at 500V DC
- Contact Resistance: 30 mohms, max.
- No. of poles: 2 + ground

Mechanical specifications

- Insulation material: PBT with 15% glassfiber
- Operating temperature: -30° C ~ 80° C
- Fuse size: $\varnothing 5 \times 20$ mm Only
- UL, CSA, TÜV Approved