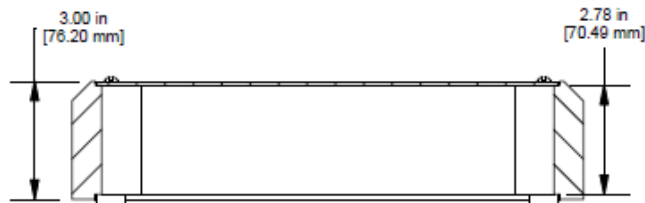
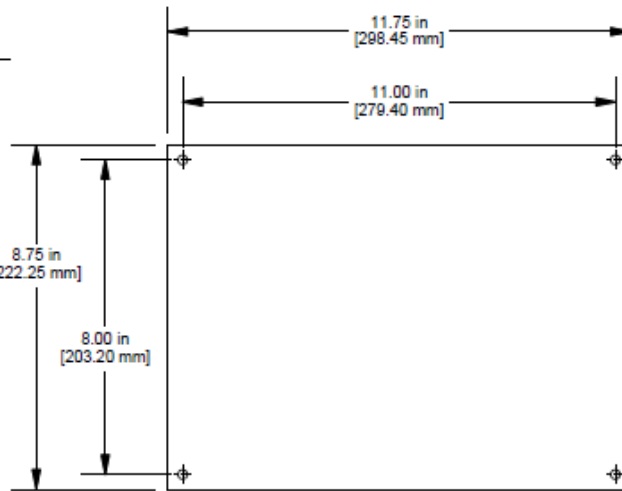


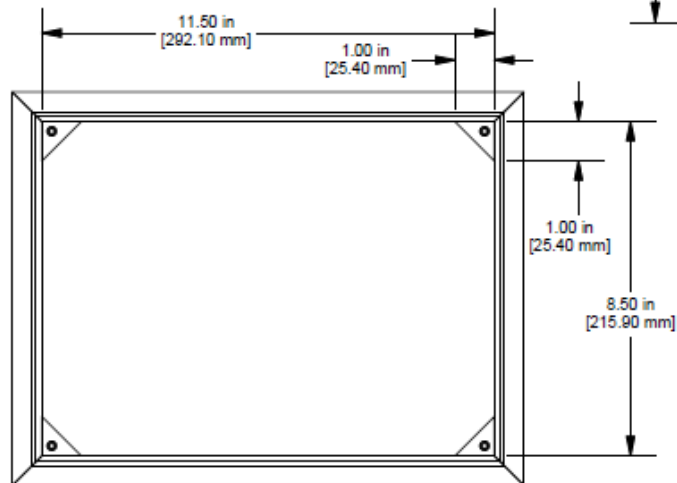
**Assembly - Top View**



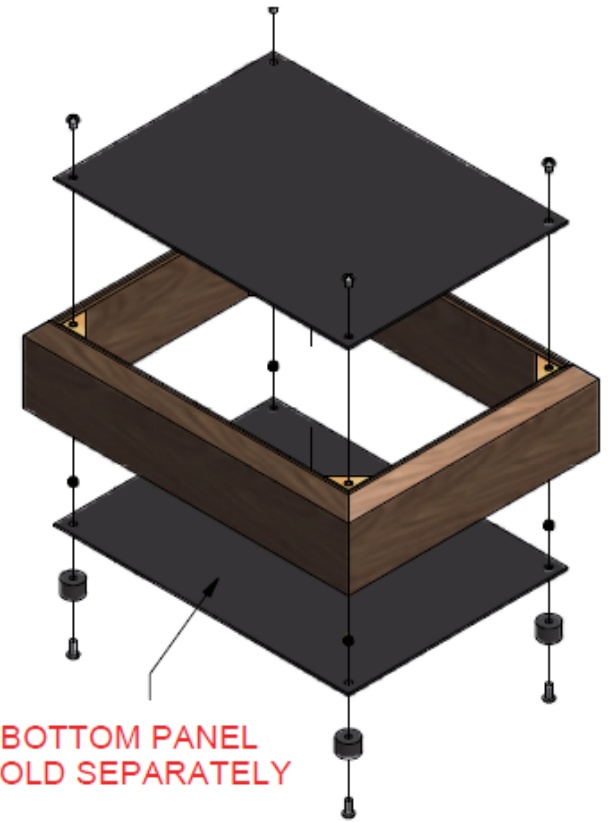
**SECTION A-A**



**Panel**



**Chassis Inside View**



**BOTTOM PANEL  
SOLD SEPARATELY**

NOTE	
Purchased Assembly Includes Solid Walnut Frame, Steel Or Aluminum Top Panel, Rubber Feet And 8 Assembly Screws.	
Bottom Panel Sold Separately	
Screws Should Not Be Torqued Pass 4.43 lbf.in ( 50 cN.m)	
PART NUMBERS	
WALNUT CHASSIS	
Assembled Chassis - 13" x 10"	CHASSIS13
ACCESSORIES	
FSPE028-507 8-32 INSERT	HMNSERT
#8-32 X5/16 MS TRUSS PHIL 18-8	SC1440
HW CHASSIS RUBBER FT SET	SC1440-C
13" x 10" BOX PANEL STEEL (BLACK)	COM56813-2BK