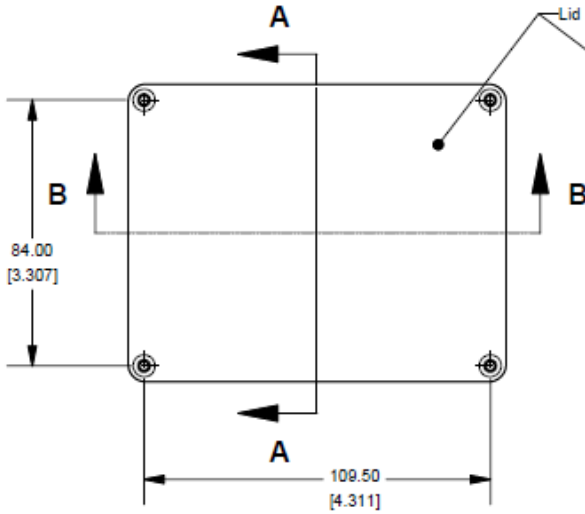
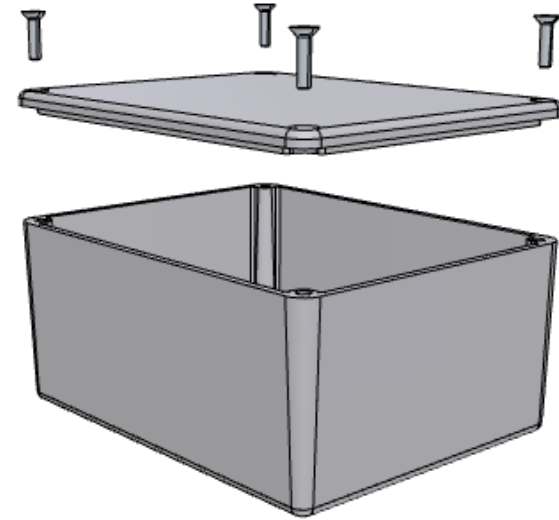
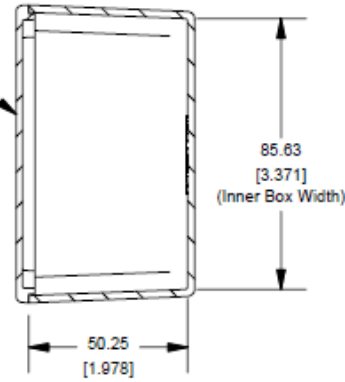


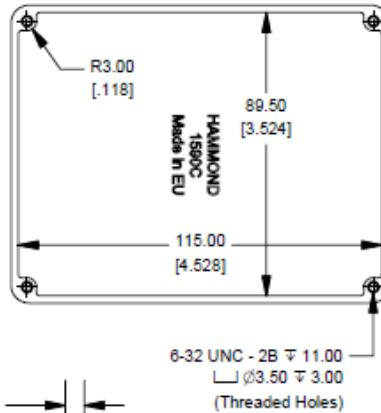
Top View of Assembly



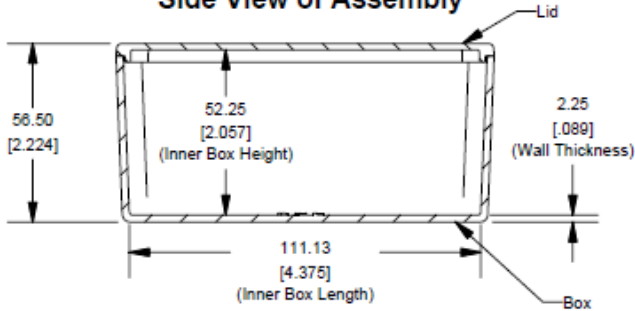
**SECTION A-A
End View of Assembly**



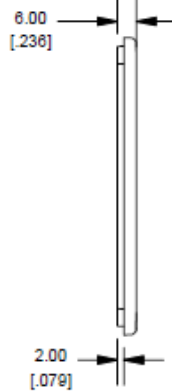
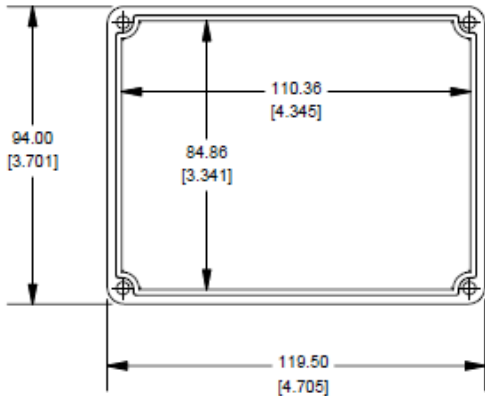
Top View Looking Inside Box



**SECTION B-B
Side View of Assembly**



Lid



NOTE

Purchased assembly includes box, lid and 4 cover screws.
Box and lid are made from Diecast Aluminum Alloy (alloy type 380).
Silicone Gasket Loctite #5950

PART NUMBERS

1590C Enclosure	
Unfinished	1590C
Grey Textured Polyester Powder Paint - RAL 7038	1590CGY
Black Textured Polyester Powder Paint - RAL 9011	1590CBK
1590C Liquid Resistant Enclosure (Silicon Factory Installed Gasket)	
Unfinished	1590WC
Black Textured Powder Paint	1590WCBK
ACCESSORIES	
Recommended Torque: 75 ozf.in / 55 cN.m	
Black Textured Cover Screws (Pkg 50) [6-32 x 1/2" SS Type 304]	1590WMS100BK
Unfinished Cover Screws (Pkg 100) [6-32 x 1/2" Nickel Plated Screws]	1590WMS100
Standard Cover Screws	
Unfinished Cover Screws (Pkg 100) [6-32 x 1/2" Nickel Plated Screws]	1590MS100
Black Textured Cover Screws (Pkg 50) [6-32 x 1/2" SS Type 304]	1590MS100BK